



Parts Manual • Ersatzteil Liste

P3CA Series Hoist/Hoistactor Combination Units

Additional Parts Manuals Required:

Hoist: PL86-P3

Hoistactor: PL86-TRACTOR



	P3	C	A	22	L	P	E	P	---	A	A	A	22	
--	----	---	---	----	---	---	---	---	-----	---	---	---	----	--

SERIES:
P3

MOUNTING TYPE:
C = Combination

FEATURES:
A = Standard Unit P = Epoxy Paint
H = Hi Temp Grease S = Epoxy Paint/Hi Temp Grease

CAPACITY:
22 = 2200 lbs.
43 = 4300 lbs.
80 = 8000 lbs.

CHAIN TYPE:
L = Link

CONTROL TYPE:
P = Pendant (w/Hoistactor-4LVR)
X = None-Pendant Ready

CONTROL LENGTH:
E = 5 FL I = 9 FL M = 13 FL Q = 17 FL U = 21 FL Y = 25 FL
F = 6 FL J = 10 FL N = 14 FL R = 18 FL V = 22 FL Z = None
G = 7 FL K = 11 FL O = 15 FL S = 19 FL W = 23 FL
H = 8 FL L = 12 FL P = 16 FL T = 20 FL X = 24 FL

CHAIN OPTIONS:
L = Standard Link
P = Zinc Plated Link
X = No Chain

CAPACITY RATING (lbs.):
11 = 1100 lbs. (22) 43 = 4300 lbs. (43)
20 = 2000 lbs. (22/43) 50 = 5000 lbs. (80)
22 = 2200 lbs. (22/43) 60 = 6000 lbs. (80)
40 = 4000 lbs. (43) 80 = 8000 lbs. (80)

VINTAGE:
A

LOWER HOOK:
A = Standard Link (22/43)
B = Bullard Link (22/43)
C = Standard Link (80)
D = Bullard Link (80)
X = No Hook

TRACTOR/TROLLEY:
A = 4-6.25" Std. Speed Tapered (22/43/80)
B = 4-6.25" Std. Speed Flat (22/43/80)
C = 3.25-3.33" Narrow Flat (22/43/80)
D = 4-6.25" Slow Speed Tapered (22/43/80)
E = 4-6.25" Slow Speed Flat (22/43/80)
F = 3.25-3.33" Slow Speed Narrow Flat (22/43/80)
G = 4-6.25" High Speed Tapered (22/43/80)
H = 4-6.25" High Speed Flat (22/43/80)
I = 3.25-3.33" High Speed Narrow Flat (22/43/80)

AMOUNT OF LIFT:
--- Specify Length in Feet, 3 digits
Example: 10' lift = 010

Note: Numbers in parentheses following an option, represent the hoist capacities for which that option is available.



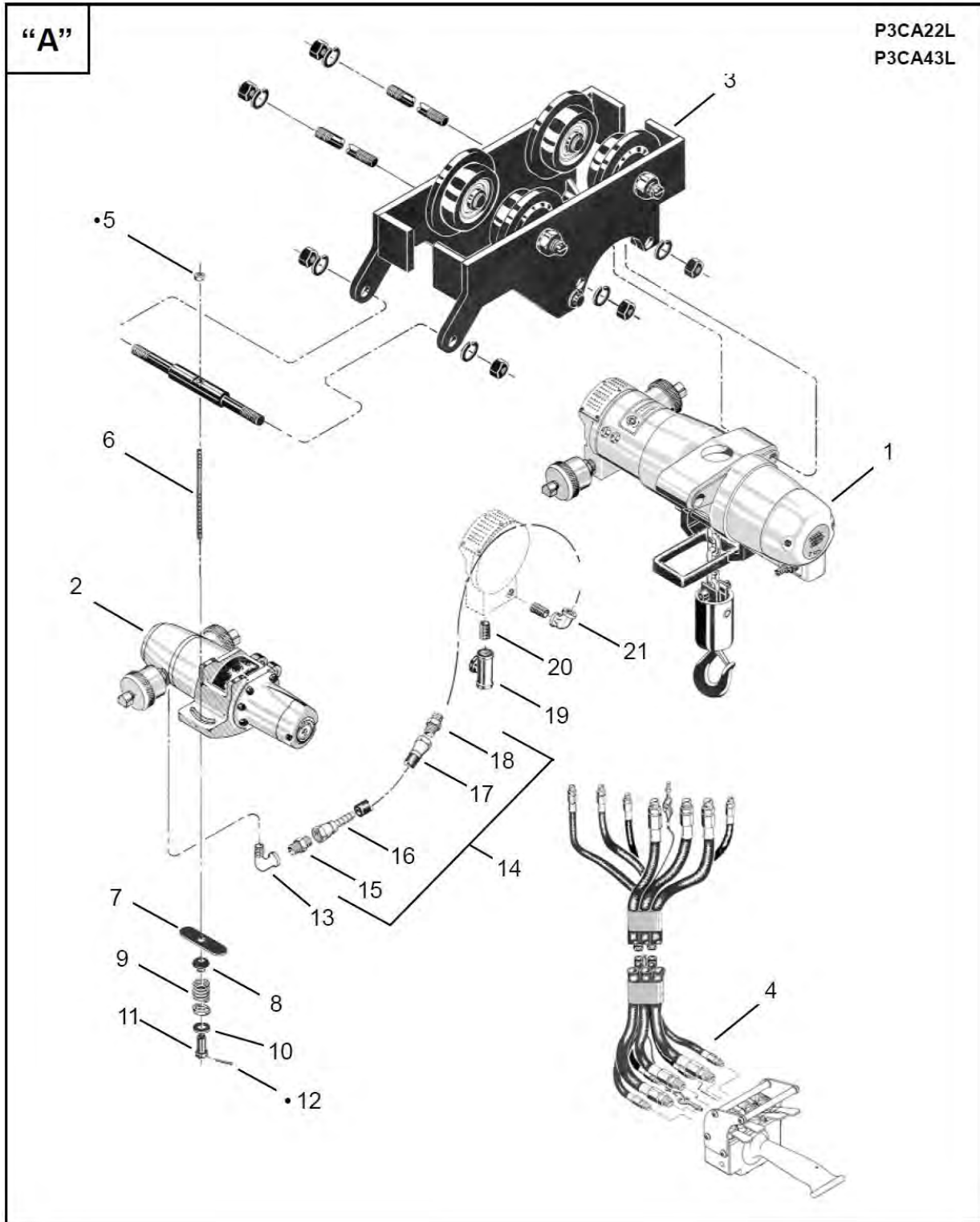


Table of Contents

P3CA Hoist/Hoistractor Combination	1
P3CA Hoist/Hoistractor Combination (parts).....	2
Trolley Assembly	3
Trolley Assembly (parts).....	4
P3CA Hoist/Hoistractor Combination	5
P3CA Hoist/Hoistractor Combination (parts).....	6
513548 Trolley Assembly	7
513548 Trolley Assembly (parts).....	8
P3CA Pendant Control	9
P3CA Pendant Control (parts).....	10
Service Notes	11
Lifting-Lower Speed Tables	12
Lifting-Lower Speed Tables	13



P3CA Hoist/Hoistractor Combination



P3CA Hoist/Hoistactor Combination (parts)

Illustration "A" - Hoist/Hoistactor Combination

Index	Number	#	-	EN	DE	FR	ES	IT
				Description	Benennung	Designation	Descripción	Descrizione
1	Note 1	1		Hoist	Hebwerke	Appareils de levage	Montacargas	Paranchi
2	Note 2	1		Hoistactor	Hoistactor	Hoistactor	Hoistactor	Hoistactor
3	Table "B"	1		Trolley Assembly	Wagen	Trolley	Trole	Carrello
4	Note 3	1		Pendent Control	Fernschaltung	Télécommande	El Mando a distancia	Il Comando a distanza
5	C104	1	2	Nut	Mutter	Ecrou	Tuerca	Dado
6	513178	1		Stud	Bolzen	Goujon	Espárrago	Perno sporgente
7	Table "A"	1		Plate	Platte	Plaque	Placa	Piattello
8	Table "A"	1		Washer	Scheibe	Rondelle	Arandela	Rondella
9	Table "A"	1		Spring	Druckfeder	Ressort	Resorte	Molla
10	W178	1		Washer	Scheibe	Rondelle	Arandela	Rondella
11	60145	1		Nut	Mutter	Ecrou	Tuerca	Dado
12	P101D	1	2	Pin	Stift	Goupille cylindrique	Pasador	Spina
13	F581	1		Pipe Elbow	Ellbogen	Coude	Codo	Curva
14	515436	1		Hose Assembly	Schlauchbaugruppe	Assemblage de tuyau	Ensamblaje de manguera	Insieme tubo flessibile
15	506135	1		Hose Adapter	Zwischenstück	Adaptateur	Adaptador	Adattatore
16	506133	2		Swivel	Drehbar	Emerillon	Eslabón giratorio	Molinello
17	506141	1		Hose	Schlauch	Tuyau	Manguera	Tubo
18	506134	1		Hose Adapter	Zwischenstück	Adaptateur	Adaptador	Adattatore
19	F594	1		Pipe Tee	T-Stück	Té	Tubo en T	Derivazione a T
20	F517	2		Pipe Nipple	Nippel	Mamelon	Niple	Nipollo
21	F598	1		Pipe Elbow	Ellbogen	Coude	Codo	Curva

#) Quantity / Stückzahl / Quantité / Cantidad / Quantità

- Recommended Spare Parts / Kennzeichnet empfohlenes / Identifica un particolare di ricambio raccomandato / Designa el repuesto recomendado / Indique la pièce de rechange conseillée

Note 1: PL86-P3 Parts Manual

Note 2: PL86-TRACTOR Parts Manual Note 3:

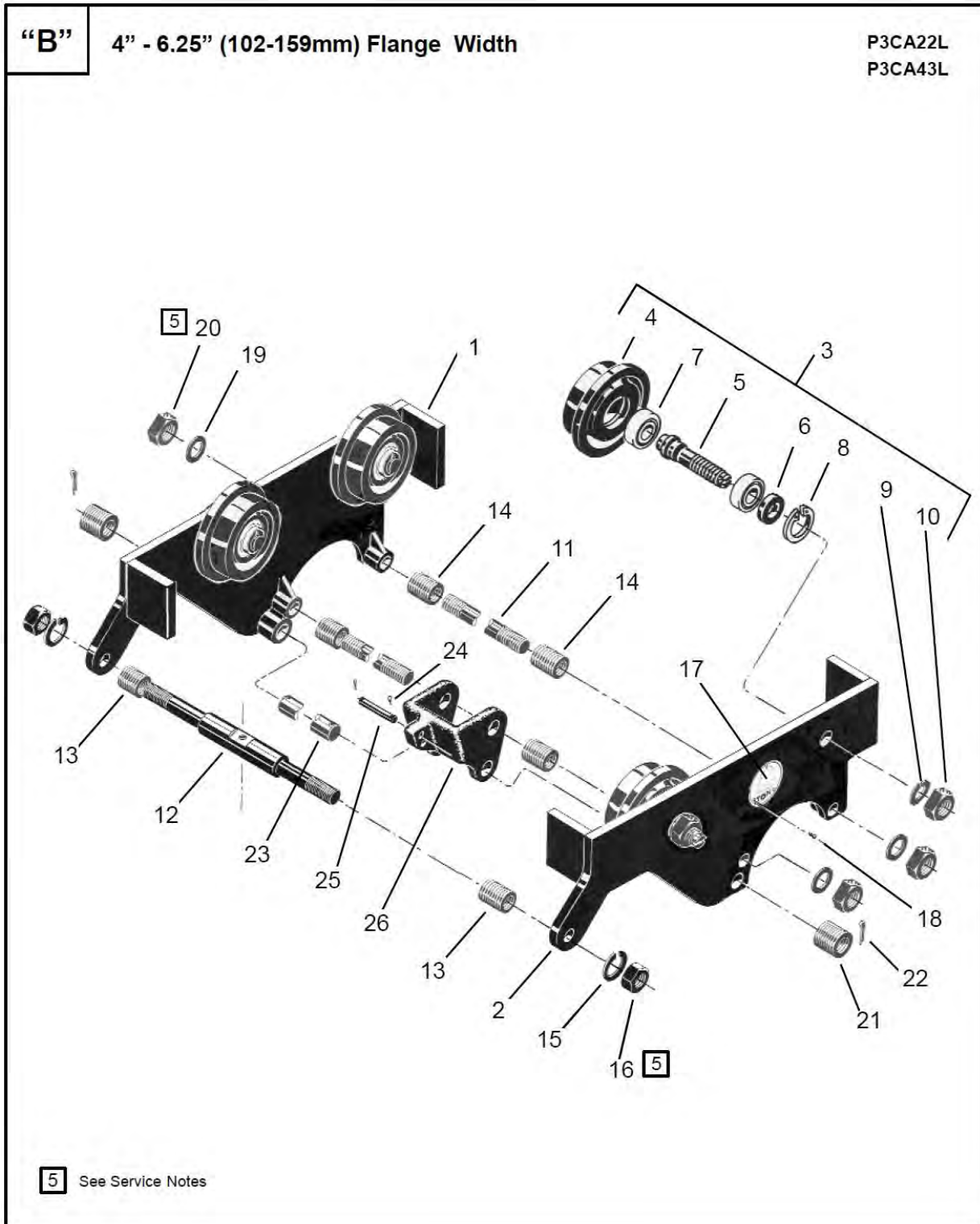
Illustration "E"

Table "A"

Index	Description	Rubber Wheel Drive Hoistactor		Sprocket Drive Hoistactor	
		Qty.	P3CA22L P3CA43L	Qty.	P3CA22L P3CA43L
7	Plate	1	509130	1	517503
8	Washer	1	60144	1	517504
9	Spring	1	515392	1	513179



Trolley Assembly



Trolley Assembly (parts)

Illustration "B" - TrolleyAssembly

Index	Number	#	-	EN	DE	FR	ES	IT
				Description	Benennung	Designation	Descripción	Descrizione
1	540808	1		Side Plate - Right	seitliche Platte	Plaque de serrage	Placa lateral	Piastra laterale
2	540807	1		Side Plate - Left	seitliche Platte	Plaque de serrage	Placa lateral	Piastra laterale
3	526577	4		Wheel Assembly	Radbaugruppe	Assemblage de roue	Ensamblaje de rueda	Gruppo mole
4	526558	4		Wheel	Rad	Roue	Rueda	Mola
5	535240	4		Axle	Achse	Axis	Eje	Asse
6	515363	4		Spacer	Distanzstück	Entretoise	Espaciador	Distanziale
7	526576	8		Bearing	Lager	Coussinet	Cojinete	Cuscinetto
8	65W24	4		Retaining Ring	Sicherungsring	Anneau de fixation	Anillo de retención	Anello di fissaggio
9	W205	4		Washer	Scheibe	Rondelle	Arandela	Rondella
10	C110T	4		Nut	Mutter	Ecrou	Tuerca	Dado
11	512420	2		Stud	Bolzen	Goujon	Espárrago	Perno sporgente
12	513542	1		Stud	Bolzen	Goujon	Espárrago	Perno sporgente
13	504809	26		Washer	Scheibe	Rondelle	Arandela	Rondella
14	513541	76		Washer	Scheibe	Rondelle	Arandela	Rondella
15	W183	2		Washer	Scheibe	Rondelle	Arandela	Rondella
16	B106	2		Nut	Mutter	Ecrou	Tuerca	Dado
17	Table "B"	2		Capacity Plate	Kapazitaetsschild	Plaque signalétique	Placa de capacidad	Piattello capacitivo
18	534820	6		Screw	Schraube	Vis	Tornillo	Vite
19	W231	4		Washer	Scheibe	Rondelle	Arandela	Rondella
20	C110S	4		Nut	Mutter	Ecrou	Tuerca	Dado
21	512419L	30		Washer	Scheibe	Rondelle	Arandela	Rondella
22	P101G	2		Cotter Pin	Stift	Goupille cylindrique	Pasador	Pasador
23	512421	1		Load Bar	Stab	Barre	La barra	La sbarra
24	P101C	2		Cotter Pin	Stift	Goupille cylindrique	Pasador	Spina
25	513537	1		Pin	Stift	Goupille cylindrique	Pasador	Spina
26	513536	1		Adapter	Zwischenstück	Adaptateur	Adaptador	Adattatore

#) Quantity / Stückzahl / Quantité / Cantidad / Quantità

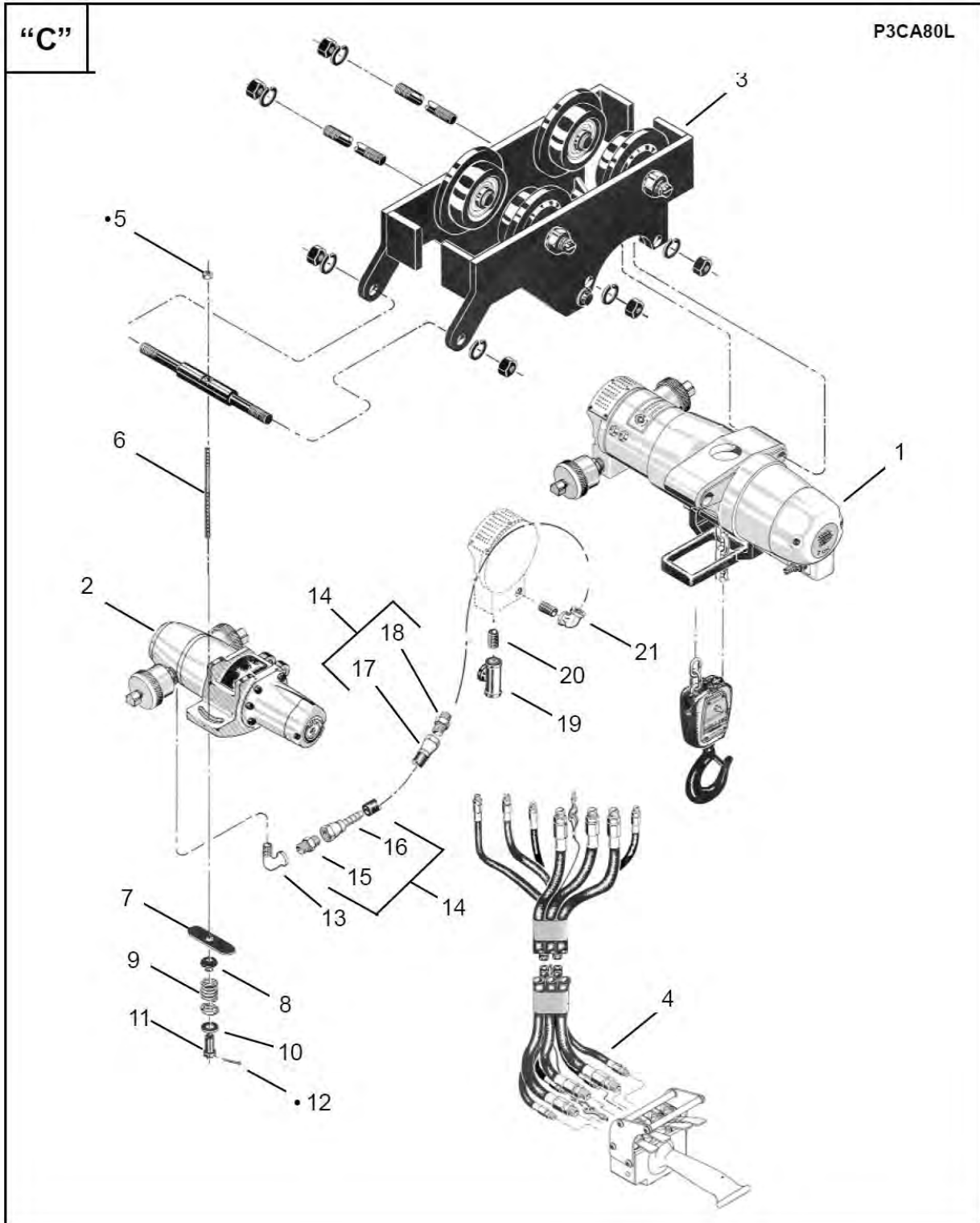
- Recommended Spare Parts / Kennzeichnet empfohlenes / Identifica un particolare di ricambio raccomandato / Designa el repuesto recomendado / Indique la pièce de rechange conseillée

Table "B"

Index	Description	P3CA22L	P3CA43L
		Taper Tread	Taper Tread
--	Trolley Assembly	521361	531110
17	Capacity Plate	528259	526545



P3CA Hoist/Hoistractor Combination



P3CA Hoist/Hoistactor Combination (parts)

Illustration "C" - Hoist/Hoistactor Combination

Index	Number	#	-	EN	DE	FR	ES	IT
				Description	Benennung	Designation	Descripción	Descrizione
1	Note 1	1		Hoist	Hebewerke	Appareils de levage	Montacargas	Paranchi
2	Note 2	1		Hoistactor	Hoistactor	Hoistactor	Hoistactor	Hoistactor
3	513548	1		Trolley Assembly	Wagen	Trolley	Trole	Carrello
4	Note 3	1		Pendent Control	Fernschaltung	Télécommande	El Mando a distancia	Il Comando a distanza
5	C104	1	2	Nut	Mutter	Ecrou	Tuerca	Dado
6	513178	1		Stud	Bolzen	Goujon	Espárrago	Perno sporgente
7	Table "C"	1		Plate	Platte	Plaque	Placa	Piattello
8	Table "C"	1		Washer	Scheibe	Rondelle	Arandela	Rondella
9	Table "C"	1		Spring	Druckfeder	Ressort	Resorte	Molla
10	W178	1		Washer	Scheibe	Rondelle	Arandela	Rondella
11	60145	1		Nut	Mutter	Ecrou	Tuerca	Dado
12	P101D	1	2	Pin	Stift	Goupille cylindrique	Pasador	Spina
13	F581	1		Pipe Elbow	Ellbogen	Coude	Codo	Curva
14	515436	1		Hose Assembly	Schlauchbaugruppe	Assemblage de tuyau	Ensamblaje de manguera	Insieme tubo flessibile
15	506135	1		Hose Adapter	Zwischenstück	Adaptateur	Adaptador	Adattatore
16	506133	2		Swivel	Drehbar	Emerillon	Eslabón giratorio	Molinello
17	506141	1		Hose	Schlauch	Tuyau	Manguera	Tubo
18	506134	1		Hose Adapter	Zwischenstück	Adaptateur	Adaptador	Adattatore
19	F594	1		Pipe Tee	T-Stück	Té	Tubo en T	Derivazione a T
20	F517	2		Pipe Nipple	Nippel	Mamelon	Niple	Niplo
21	F598	1		Pipe Elbow	Ellbogen	Coude	Codo	Curva

#) Quantity / Stückzahl / Quantité / Cantidad / Quantità

- Recommended Spare Parts / Kennzeichnet empfohlenes / Identifica un particolare di ricambio raccomandato / Designa el repuesto recomendado / Indique la pièce de rechange conseillée

Note 1: PL86-P3 Parts Manual

Note 2: PL86-TRACTOR Parts Manual Note

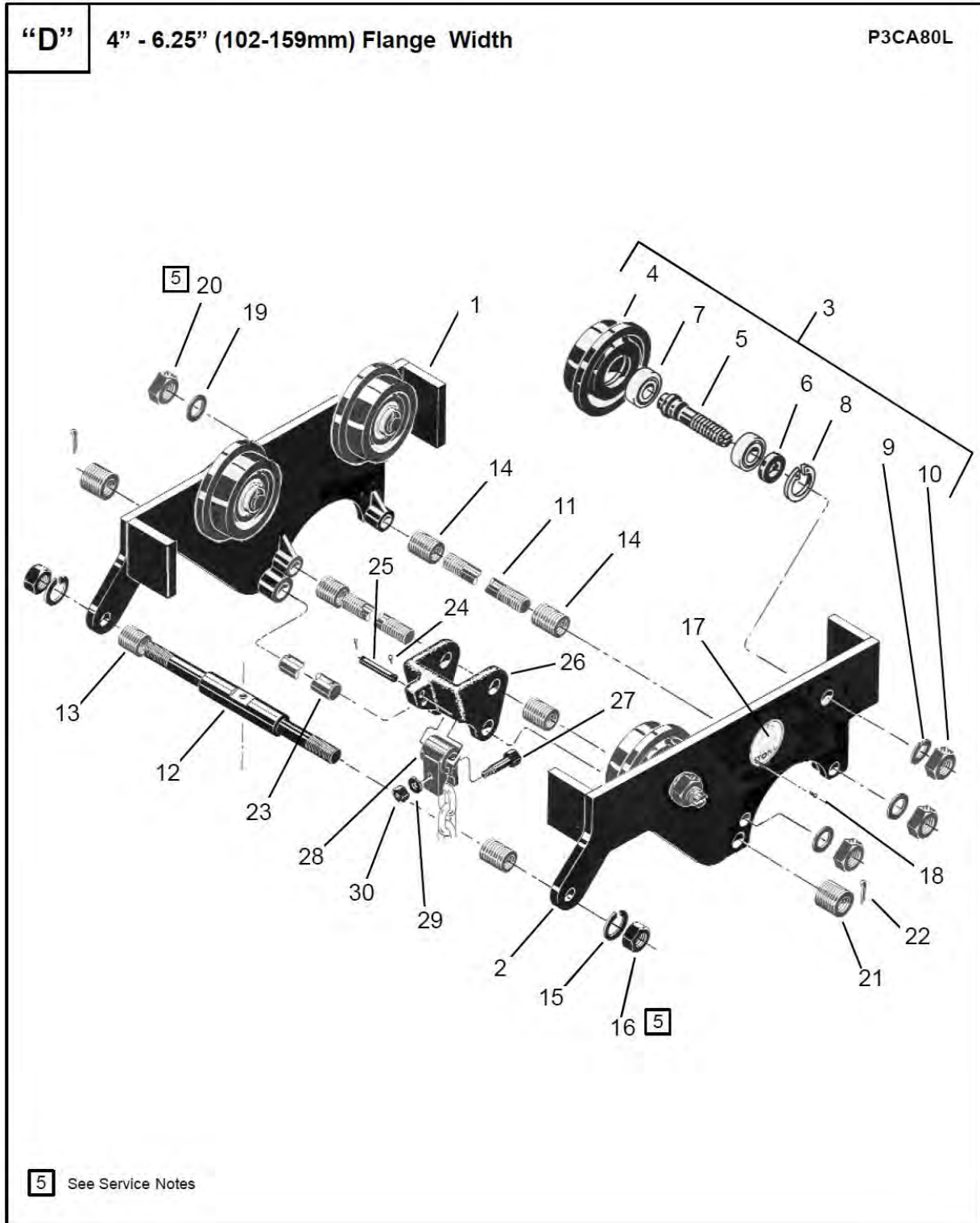
3: Illustration "E"

Table "C"

Index	Description	Rubber Wheel Drive Hoistactor		Sprocket Drive Hoistactor	
		Qty.	P3CA80L	Qty.	P3CA80L
7	Plate	1	509130	1	517503
8	Washer	1	60144	1	517504
9	Spring	1	515392	1	513179



513548 Trolley Assembly



513548 Trolley Assembly (parts)

Illustration "D" - Trolley Assembly

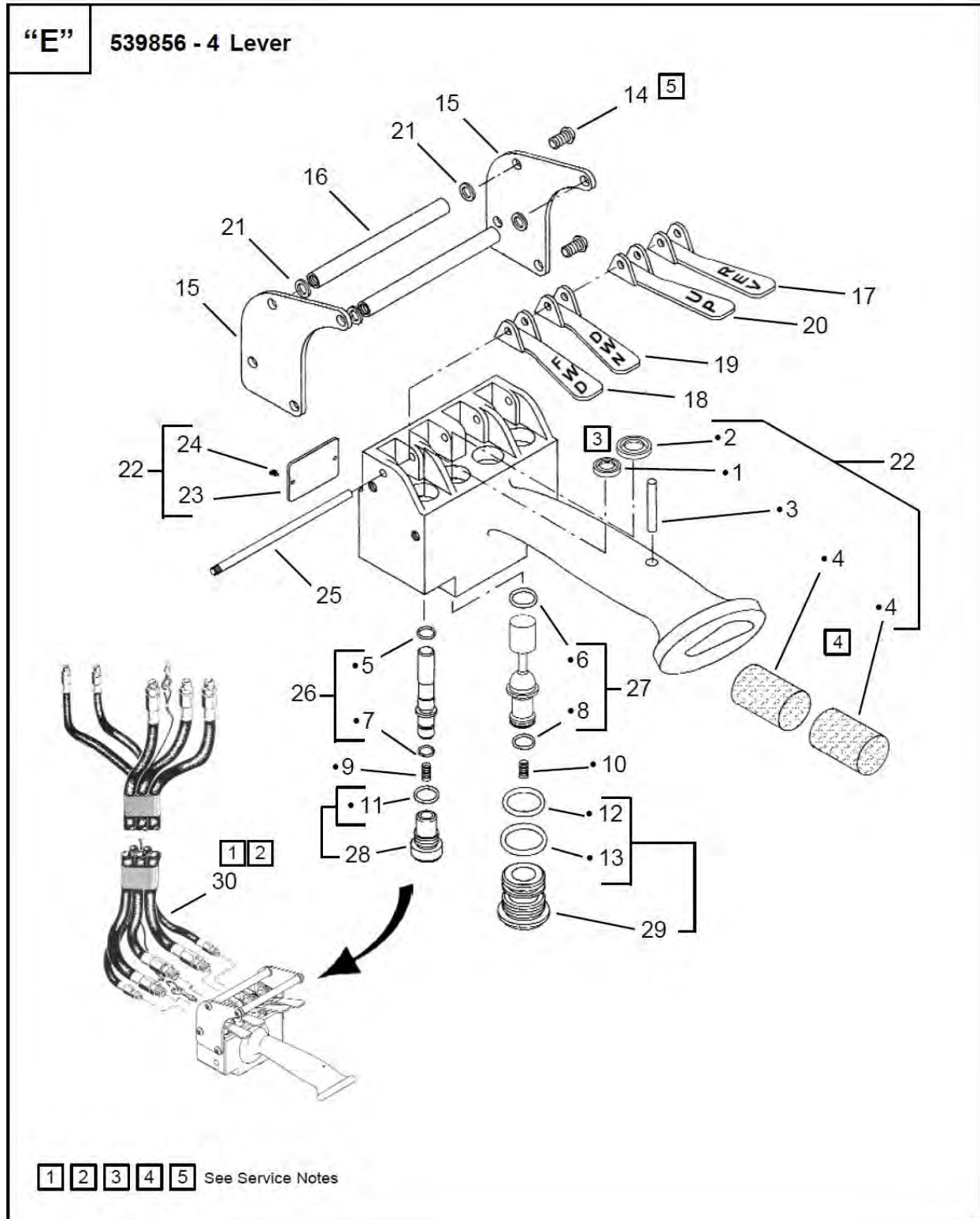
Index	Number	#	-	EN	DE	FR	ES	IT
				Description	Benennung	Designation	Descripción	Descrizione
1	540808	1		Side Plate - Right	seitliche Platte	Plaque de serrage	Placa lateral	Piastra laterale
2	540807	1		Side Plate - Left	seitliche Platte	Plaque de serrage	Placa lateral	Piastra laterale
3	526577	4		Wheel Assembly	Radbaugruppe	Assemblage de roue	Ensamblaje de rueda	Gruppo mole
4	526558	4		Wheel	Rad	Roue	Rueda	Mola
5	535240	4		Axle	Achse	Axis	Eje	Lasse
6	515363	4		Spacer	Distanzstück	Entretoise	Espaciador	Distanziale
7	526576	8		Bearing	Lager	Coussinet	Cojinete	Cuscinetto
8	65W24	4		Retaining Ring	Sicherungsring	Anneau de fixation	Anillo de retención	Anello di fissaggio
9	W205	4		Washer	Scheibe	Rondelle	Arandela	Rondella
10	C110T	4		Nut	Mutter	Ecrou	Tuerca	Dado
11	512420	2		Stud	Bolzen	Goujon	Espárrago	Perno sporgente
12	513542	1		Stud	Bolzen	Goujon	Espárrago	Perno sporgente
13	504809	26		Washer	Scheibe	Rondelle	Arandela	Rondella
14	513541	76		Washer	Scheibe	Rondelle	Arandela	Rondella
15	W183	2		Washer	Scheibe	Rondelle	Arandela	Rondella
16	B106	2		Nut	Mutter	Ecrou	Tuerca	Dado
17	513100	2		Capacity Plate	Kapazitätschild	Plaque signalétique	Placa de capacidad	Piattello capacitivo
18	534820	6		Screw	Schraube	Vis	Tornillo	Vite
19	W231	4		Washer	Scheibe	Rondelle	Arandela	Rondella
20	C110S	4		Nut	Mutter	Ecrou	Tuerca	Dado
21	512419L	30		Washer	Scheibe	Rondelle	Arandela	Rondella
22	P101G	2		Cotter Pin	Stift	Goupille cylindrique	Pasador	Spina
23	512421	1		Load Bar	Stab	Barre	La barra	La sbarra
24	P101C	2		Cotter Pin	Stift	Goupille cylindrique	Pasador	Spina
25	513537	1		Pin	Stift	Goupille cylindrique	Pasador	Spina
26	513536	1		Adapter	Zwischenstück	Adaptateur	Adaptador	Adattatore
27	535482	1		Bolt	Bolzen	Boulon	Perno	Dado
28	512410	1		Adapter	Zwischenstück	Adaptateur	Adaptador	Adattatore
29	W188	1		Washer	Scheibe	Rondelle	Arandela	Rondella
30	C107D	1		Nut	Mutter	Ecrou	Tuerca	Dado

#) Quantity / Stückzahl / Quantité / Cantidad / Quantità

- Recommended Spare Parts / Kennzeichnet empfohlenes / Identifica un particolare di ricambio raccomandato / Designa el repuesto recomendado / Indique la pièce de rechange conseillée



P3CA Pendant Control



P3CA Pendent Control (parts)

Illustration "E" - 4 Lever Pendent Control Handle Assembly

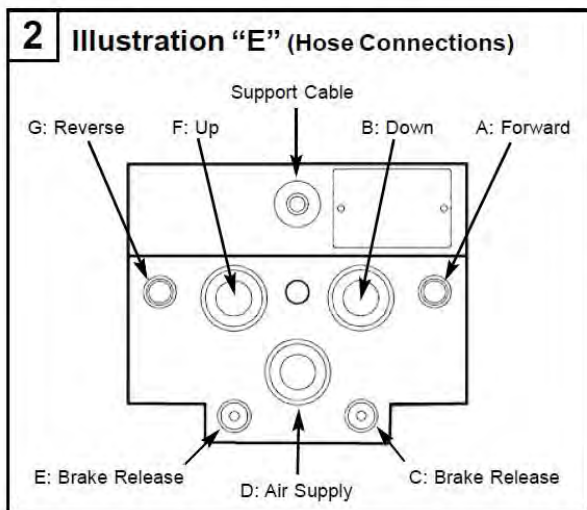
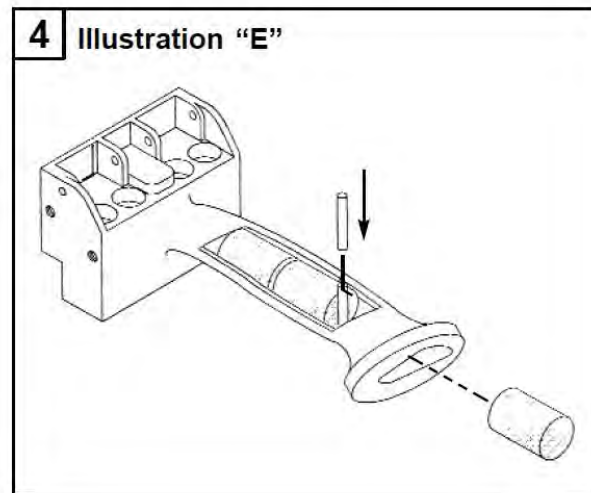
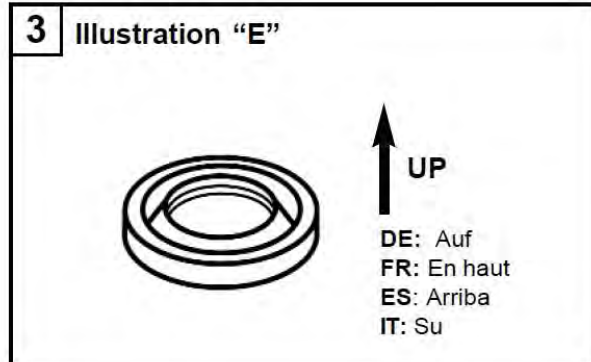
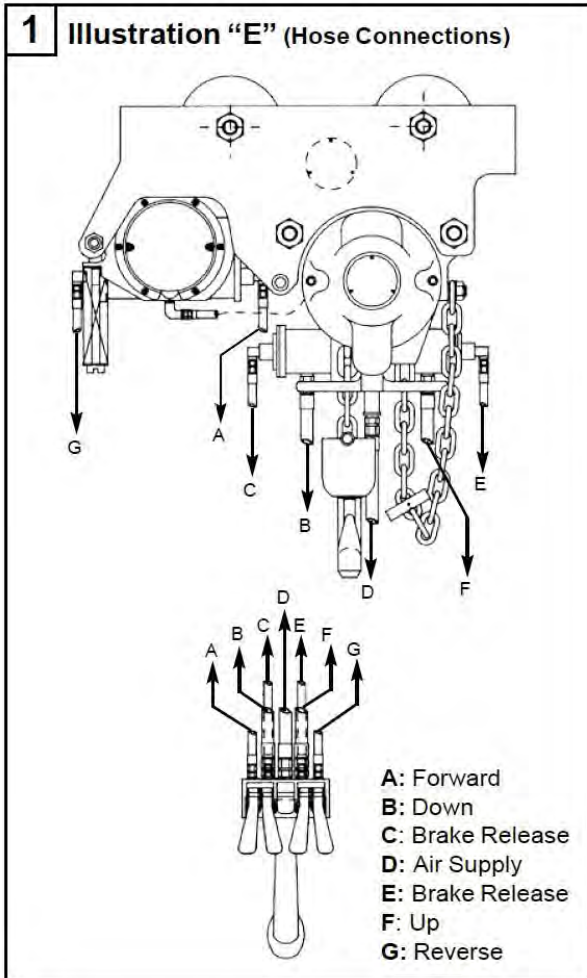
Index	Number	#	-	EN	DE	FR	ES	IT
				Description	Benennung	Designation	Descripción	Descrizione
1	539714	2	2	Seal	Dichtung	Sceau	Sello	Guarnizione
2	30573	2	2	Seal	Dichtung	Sceau	Sello	Guarnizione
3	RP103G	1	1	Pin	Stift	Goujon	Pasador	Spina
4	531753	2	2	Muffler	Auspufftopf	Silencieux	Silenciador	Silenziatore
5	504970	2	2	O-Ring	O-Ring	Anneau "O"	Anillo "O"	O-Ring
6	12619	2	2	O-Ring	O-Ring	Anneau "O"	Anillo "O"	O-Ring
7	1008127	2	2	O-Ring	O-Ring	Anneau "O"	Anillo "O"	O-Ring
8	60371	2	2	O-Ring	O-Ring	Anneau "O"	Anillo "O"	O-Ring
9	511608	2	2	Spring	Druckfeder	Ressort	Resorte	Molla
10	502715	2	2	Spring	Druckfeder	Ressort	Resorte	Molla
11	60351	2	2	O-Ring	O-Ring	Anneau "O"	Anillo "O"	O-Ring
12	24684	2	2	O-Ring	O-Ring	Anneau "O"	Anillo "O"	O-Ring
13	29865	2	2	O-Ring	O-Ring	Anneau "O"	Anillo "O"	O-Ring
14	B126N	8		Screw	Gewindestift	Vis	Tornillo	Vite
15	539865	2		Side Plate	Seitliche Platte	Plaque de serrage	Placa lateral	Piastra laterale
16	539866	2		Spacer	Distanzstück	Entretoise	Espacidor	Distanziale
17	526267	1		Lever (REV)	Hebel	Levier	Palanca	Leva
18	526268	1		Lever (FWD)	Hebel	Levier	Palanca	Leva
19	526276	1		Lever (DWN)	Hebel	Levier	Palanca	Leva
20	526275	1		Lever (UP)	Hebel	Levier	Palanca	Leva
21	W237	4		Washer	Scheibe	Rondelle	Arandela	Rondelle
22	539760	1		Handle	Handgriff	Poignee	Manija	Impugnatura
23	521768	1		Caution Plate	Achtungsschild	Plaque d' avertissement	Placa de instrucciones	Piastra di protezione
24	534820	2		Screw	Gewindestift	Vis	Tornillo	Vite
25	539835	1		Pin	Stift	Goujon	Pasador	Spina
26	539832	2		Valve (FWD/REV)	Ventil	Soupape	Valvula	Valvola
27	539753	2		Valve (UP/DWN)	Ventil	Soupape	Valvula	Valvola
28	511610	2		Cap	Kappe	Chapeau	Tapa	Cappello
29	522344	2		Cap	Kappe	Chapeau	Tapa	Cappello
30	522911	1		Hose (5ft.)	Schlauch (1,5 M)	Tuyau (1,5 M)	Manguera (1,5 M)	Tubo (1,5 M)
	519306	1		Hose (10ft.)	Schlauch (3,0 M)	Tuyau (3,0 M)	Manguera (3,0 M)	Tubo (3,0 M)
	519307	1		Hose (15ft.)	Schlauch (4,6 M)	Tuyau (4,6 M)	Manguera (4,6 M)	Tubo (4,6 M)
	522948	1		Hose (20ft.)	Schlauch (6,1 M)	Tuyau (6,1 M)	Manguera (6,1 M)	Tubo (6,1M)
	522824	1		Hose (25ft)	Schlauch (7,6 M)	Tuyau (7,6 M)	Manguera (7,6 M)	Tubo (7,6 M)
	532007	1		Hose (30ft)	Schlauch (9,1 M)	Tuyau (9,1 M)	Manguera (9,1 M)	Tubo (9,1 M)

(#) Quantity / Stückzahl / Quantité / Cantidad / Quantità

- Recommended Spare Parts / Kennzeichnet empfohlenes / Identifica un particolare di ricambio raccomandato / Designa el repuesto recomendado / Indique la pièce de rechange conseillée



Service Notes



5

Illustration	Index Number	Tightening Torque Anzugsmoment Tightening Torque Torsión de Apriete Tightening Torque	
		Ft-Lbs (in-lbs)	Nm
B	16	70-80	95-108
	20	40-50	54-68
D	16	70-80	95-108
	20	40-50	54-68
E	14	5-6	6,8-8,1



Lifting-Lower Speed Tables

P3CA22L...												
Air Pressure		Direction	Load									
			lbs.	kg	lbs.	kg	lbs.	kg	lbs.	kg		
			0	0	500	227	1000	454	1500	680	2200	1000
PSI		Kg/CM2	Load Speed									
			fpm	mpm	fpm	mpm	fpm	mpm	fpm	mpm	fpm	mpm
90	6.3	Lift	76	23.2	68	20.7	56	17.1	40	12.2	34	10.4
		Lower	78	23.8	94	28.6	102	31.1	116	35.4	120	36.6
80	5.8	Lift	72	21.9	66	20.1	52	15.8	38	11.6	28	8.5
		Lower	74	22.5	92	28.0	100	31.5	106	32.3	120	36.6
70	4.9	Lift	66	20.1	64	19.5	48	14.6	34	10.4	20	6.1
		Lower	68	20.7	90	27.4	100	30.5	104	31.7	110	33.5
60	4.2	Lift	64	19.5	60	18.3	42	12.8	26	7.9	16	4.9
		Lower	65	19.8	88	26.8	94	28.6	102	31.1	108	32.9
50	3.5	Lift	52	15.8	54	16.5	32	9.7	20	6.1	--	--
		Lower	52	15.8	80	24.4	82	25.0	94	28.6	--	--
40	2.8	Lift	40	12.2	40	12.2	24	7.3	--	--	--	--
		Lower	40	12.2	64	19.5	66	20.1	--	--	--	--

P3CA43L...												
Air Pressure		Direction	Load									
			lbs.	kg	lbs.	kg	lbs.	kg	lbs.	kg		
			0	0	1000	454	2000	907	3000	1361	4300	1951
PSI		Kg/CM2	Load Speed									
			fpm	mpm	fpm	mpm	fpm	mpm	fpm	mpm	fpm	mpm
90	6.3	Lift	38	11.6	34	10.4	28	8.5	20	6.1	17	5.2
		Lower	39	11.9	47	14.3	51	15.5	58	17.6	60	18.3
80	5.8	Lift	36	11.0	33	10.1	26	7.9	19	5.8	14	4.3
		Lower	37	11.3	46	14.0	50	15.2	53	16.1	60	18.3
70	4.9	Lift	33	10.1	32	9.7	24	7.3	17	5.2	10	3.0
		Lower	34	10.4	45	13.7	50	15.2	52	15.8	55	16.8
60	4.2	Lift	32	9.7	30	9.1	21	6.4	13	3.9	8	2.4
		Lower	32	9.7	44	13.4	47	14.3	51	15.5	54	16.5
50	3.5	Lift	26	7.9	27	8.2	16	4.9	10	3.0	--	--
		Lower	26	7.9	40	12.2	41	12.5	47	14.3	--	--
40	2.8	Lift	20	6.1	20	6.1	12	3.6	--	--	--	--
		Lower	20	6.1	32	9.7	33	10.1	--	--	--	--



Lifting-Lower Speed Tables

P3CA80L...																				
Air Pressure		Direction	Load																	
			lbs.	kg	lbs.	kg	lbs.	kg	lbs.	kg	lbs.	kg	lbs.	kg	lbs.	kg	lbs.	kg		
			0	0	1000	454	2000	907	3000	1361	4000	1814	5000	2268	6000	2722	7000	3175	8000	3629
PSI		Kg/CM2		Load Speed																
				fpm	mpm	fpm	mpm	fpm	mpm	fpm	mpm	fpm	mpm	fpm	mpm	fpm	mpm	fpm	mpm	
90	6.3	Lift	19	5.8	18	5.5	17	5.2	16	4.9	14	4.3	12	3.6	10	3.0	9	2.7	8	2.4
		Lower	19	5.8	21	6.4	23	7.0	24	7.3	25	7.6	27	8.2	29	8.8	29	8.8	30	9.1
80	5.8	Lift	18	5.5	17	5.2	16	4.9	15	4.6	13	3.9	11	3.4	9	2.7	8	2.4	7	2.1
		Lower	18	5.5	20	6.1	23	7.0	24	7.3	25	7.6	25	7.6	26	7.9	28	8.5	30	9.1
70	4.9	Lift	16	4.9	16	4.9	16	4.9	14	4.3	12	3.6	10	3.0	8	2.4	6	1.8	5	1.5
		Lower	17	5.2	19	5.8	22	6.7	23	7.0	25	7.6	25	7.6	26	7.9	26	7.9	27	8.2
60	4.2	Lift	16	4.9	15	4.6	15	4.6	12	3.6	10	3.0	8	2.4	7	2.1	6	1.8	4	1.2
		Lower	16	4.9	19	5.8	22	6.7	22	6.7	23	7.0	24	7.3	25	7.6	26	7.9	27	8.2
50	3.5	Lift	13	3.9	13	3.9	13	3.9	10	3.0	8	2.4	7	2.1	5	1.5	--	--	--	--
		Lower	13	3.9	16	4.9	20	6.1	20	6.1	20	6.1	21	6.4	23	7.0	--	--	--	--
40	2.8	Lift	10	3.0	10	3.0	10	3.0	8	2.4	6	1.8	--	--	--	--	--	--	--	--
		Lower	10	3.0	14	4.3	16	4.9	16	4.9	16	4.9	--	--	--	--	--	--	--	--





FOR QUESTIONS, TECHNICAL AND WARRANTY SUPPORT:

GD-HOIST

5215 S. Emmer Dr.
New Berlin, WI 53151
Phone: 262-710-4185
Fax: 262-796-1194
www.gdhoist.com

