



Parts Manual

K1CA Series Hoist/Hoistractor Combination Units

Additional Parts Manuals Required: Hoist:

PL86-K1

Hoistractor: PL86-TRACTOR

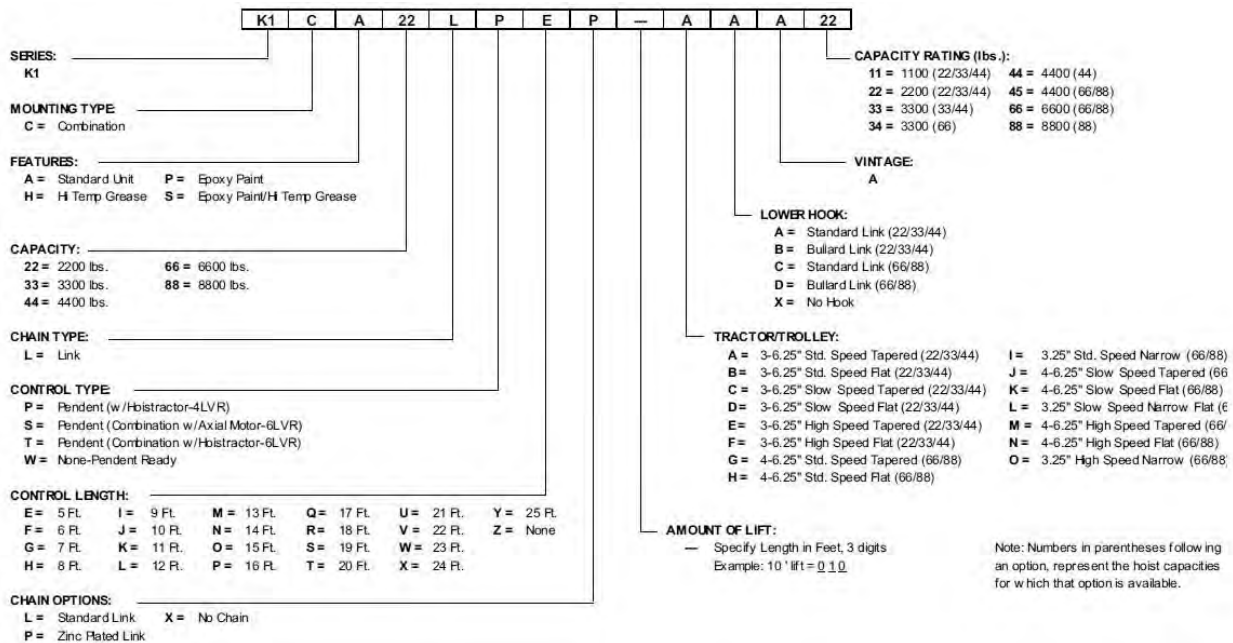
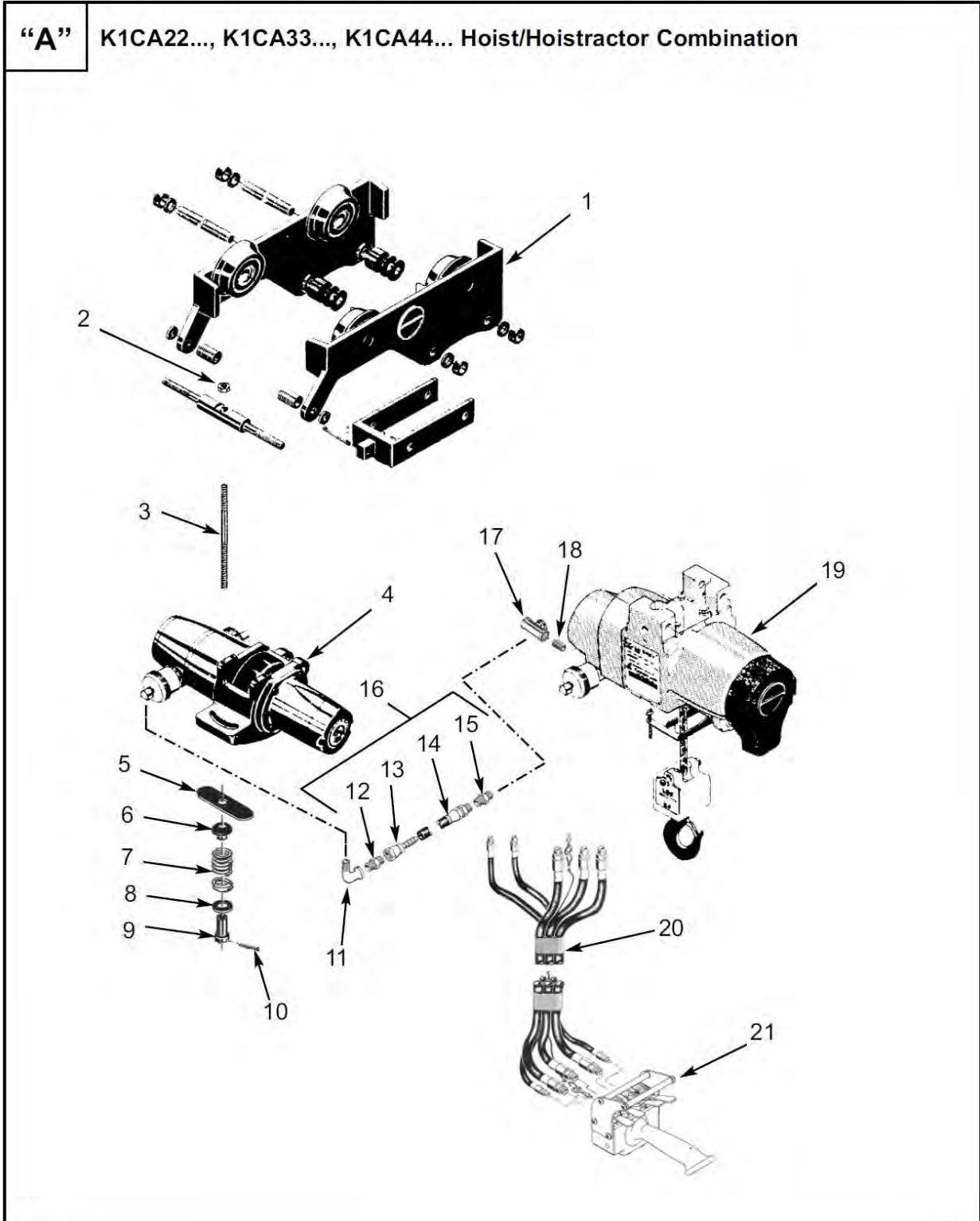


Table of Contents

K1CA Hoist/Hoistractor Combination	1
K1CA Hoist/Hoistractor Combination (parts).....	2
K1CA Trolley Assembly.....	3
K1CA Trolley Assembly (parts)	4
K1CA Hoist/Hoistractor Combination	5
K1CA Hoist/Hoistractor Combination (parts).....	6
K1CA Trolley Assembly A.....	7
K1CA Trolley Assembly A (parts)	8
K1CA Trolley Assembly B.....	9
K1CA Trolley Assembly B (parts)	10
K1CA Hoist/Hoistractor Combination	11
K1CA Hoist/Hoistractor Combination (parts).....	12
Description.....	13
Lifting and Lowering Speeds	14
Lifting and Lowering Speeds cont'd	15



K1CA Hoist/Hoistractor Combination



K1CA Hoist/Hoistractor Combination (parts)

Illustration "A" - K1CA22..., K1CA33..., K1CA44... Hoist/Hoistractor Combination

Index	Number	#	·	EN	DE	FR	ES	IT
				Description	Benennung	Designation	Descripcion	Descrizione
1	Table "A"	1		Trolley Assembly	Wagen	Trolley	Trole	Carrello
2	C104	1		Nut	Mutter	Ecrou	Tuerca	Dado
3	513178	1		Stud	Bolzen	Goujon	Espárrago	Perno sporgente
4	Table "A"	1		Hoistractor	Hoistractor	Hoistractor	Hoistractor	Hoistractor
5	509130	1		Plate	Platte	Plaque	Placa	Piattello
6	60144	1		Washer	Scheibe	Rondelle	Arandela	Rondella
7	515392	1		Spring	Druckfeder	Ressort	Resorte	Molla
8	W178	1		Washer	Scheibe	Rondelle	Arandela	Rondella
9	60145	1		Nut	Mutter	Ecrou	Tuerca	Dado
10	P101D	1		Pin	Stift	Goupille cylindrique	Pasador	Spina
11	F581	1		Elbow	Ellbogen	Coude	Codo	Curva
12	506135	1		Adapter (3/8" NPT)	Zwischenstück	Adaptateur	Adaptador	Adattatore
13	506133	2		Swivel	Drehbar	Emerillon	Eslabón giratorio	Molinello
14	506141	1		Hose	Schlauch	Tuyau	Manguera	Tubo
15	506134	1		Adapter (1/2" NPT)	Zwischenstück	Adaptateur	Adaptador	Adattatore
16	515436	1		Hose Assembly	Schlauchbaugruppe	Assemblage de tuyau	Ensamblaje de manguera	Insieme tubo flessibile
17	F594	1		Tee	T-Stück	Té	Tubo en T	Derivazione a T
18	F572	1		Nipple	Nippel	Mamelon	Niple	Nipplo
19	Table "A"	1		Hoist	Hebwerke	Appareils de levage	Montacargas	Paranchi
20	Table "A"	1		PC Hose Assembly	Schlauchbaugruppe	Assemblage de tuyau	Ensamblaje de manguera	Insieme tubo flessibile
21	539844	1		PC Handle Assembly	Handgriff	Poignée	Manija	Impugnatura

#) Quantity / Stückzahl / Quantité / Cantidad / Quantità

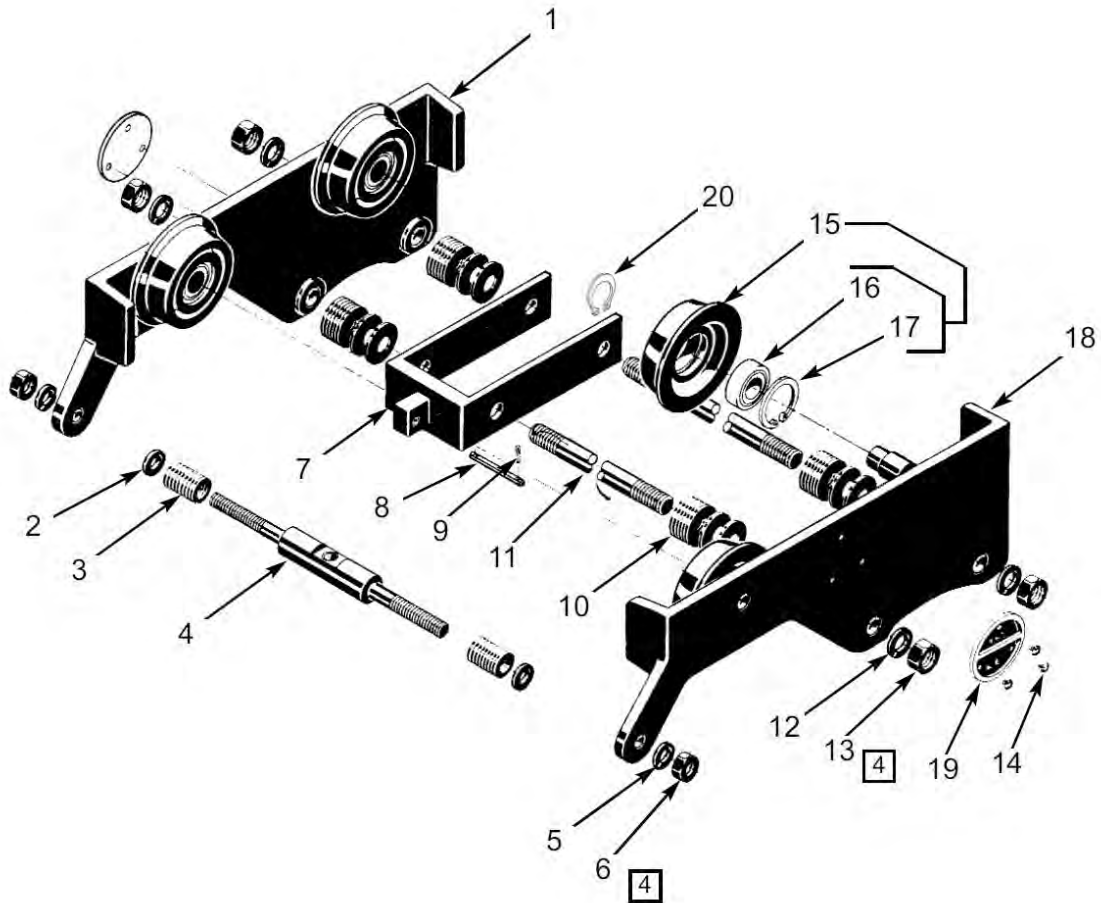
Table "A"

Index #	Description	Qty.	K1CA22...	Qty.	K1CA33...	Qty.	K1CA44...
1	Trolley Assembly	1	531065	1	531066	1	531067
4	Hoistractor - Std Speed	1	513183	1	513183	1	513183
	Hoistractor - High Speed	1	513196	1	513196	1	513496
	Hoistractor - Slow Speed	1	513197	1	513197	1	513197
19	Hoist	1	K1HA22L	1	K1HA33L	1	K1HA44L
20	PC Hose Assembly (5')	1	526170	1	526170	1	526170
	PC Hose Assembly (10')	1	526171	1	526171	1	526171
	PC Hose Assembly (15')	1	526172	1	526172	1	526172

K1CA Trolley Assembly

"B"

K1CA22..., K1CA33..., K1CA44... Trolley Assembly
(3" - 6.25" Tapered Wheel)



4 See Service Notes



K1CA Trolley Assembly (parts)

Illustration "B" - K1CA22..., K1CA33..., K1CA44... Trolley Assembly

Index	Number	#	.	EN	DE	FR	ES	IT
				Description	Benennung	Designation	Descripcion	Descrizione
--	Table "B"	1		Trolley Assembly	Wagen	Trolley	Trole	Carrello
1	539301	1		Side Plate - Right	seitliche Platte	Plaque de serrage	Placa lateral	Piastra laterale
2	504810	2		Washer	Scheibe	Rondelle	Arandela	Rondella
3	504809	30		Washer	Scheibe	Rondelle	Arandela	Rondella
4	513188	1		Stud	Bolzen	Goujon	Espárrago	Perno sporgente
5	W183	2		Lockwasher	Sicherungsscheibe	Rondelle frein	Arandela de presión	Rondella di bloccaggio
6	C105B	2		Nut	Mutter	Ecrou	Tuerca	Dado
7	531063	1		Adapter	Zwischenstück	Adaptateur	Adaptador	Adattatore
8	513537	1		Pin	Stift	Goupille cylindrique	Pasador	Spina
9	P101C	2		Cotter Pin	Stift	Goupille cylindrique	Pasador	Spina
10	W196	56		Washer	Scheibe	Rondelle	Arandela	Rondella
11	512400	2		Stud	Bolzen	Goujon	Espárrago	Perno sporgente
12	W231	4		Lockwasher	Sicherungsscheibe	Rondelle frein	Arandela de presión	Rondella di bloccaggio
13	C110S	4		Nut	Mutter	Ecrou	Tuerca	Dado
14	534820	6		Screw	Schraube	Vis	Tornillo	Vite
15	526519 *	4		Wheel Assembly	Radbaugruppe	Assemblage de roue	Ensamblaje de rueda	Gruppo mole
16	526529	4		Bearing	Lager	Coussinet	Cojinete	Cuscinetto
17	503406	4		Retaining Ring	Sicherungsring	Anneau de fixation	Anillo de retención	Anello di fissaggio
18	539302	1		Side Plate - Left	seitliche Platte	Plaque de serrage	Placa lateral	Piastra laterale
19	Table "B"	1		Capacity Plate	Kapazitaetsschild	Plaque signalétique	Placa de capacidad	Piattello capacitivo
20	800141	4		Retaining Ring	Sicherungsring	Anneau de fixation	Anillo de retención	Anello di fissaggio

#) Quantity / Stückzahl / Quantité / Cantidad / Quantità

* Note: Alternate Construction Wheel Assembly = 534387 Flat Wheel

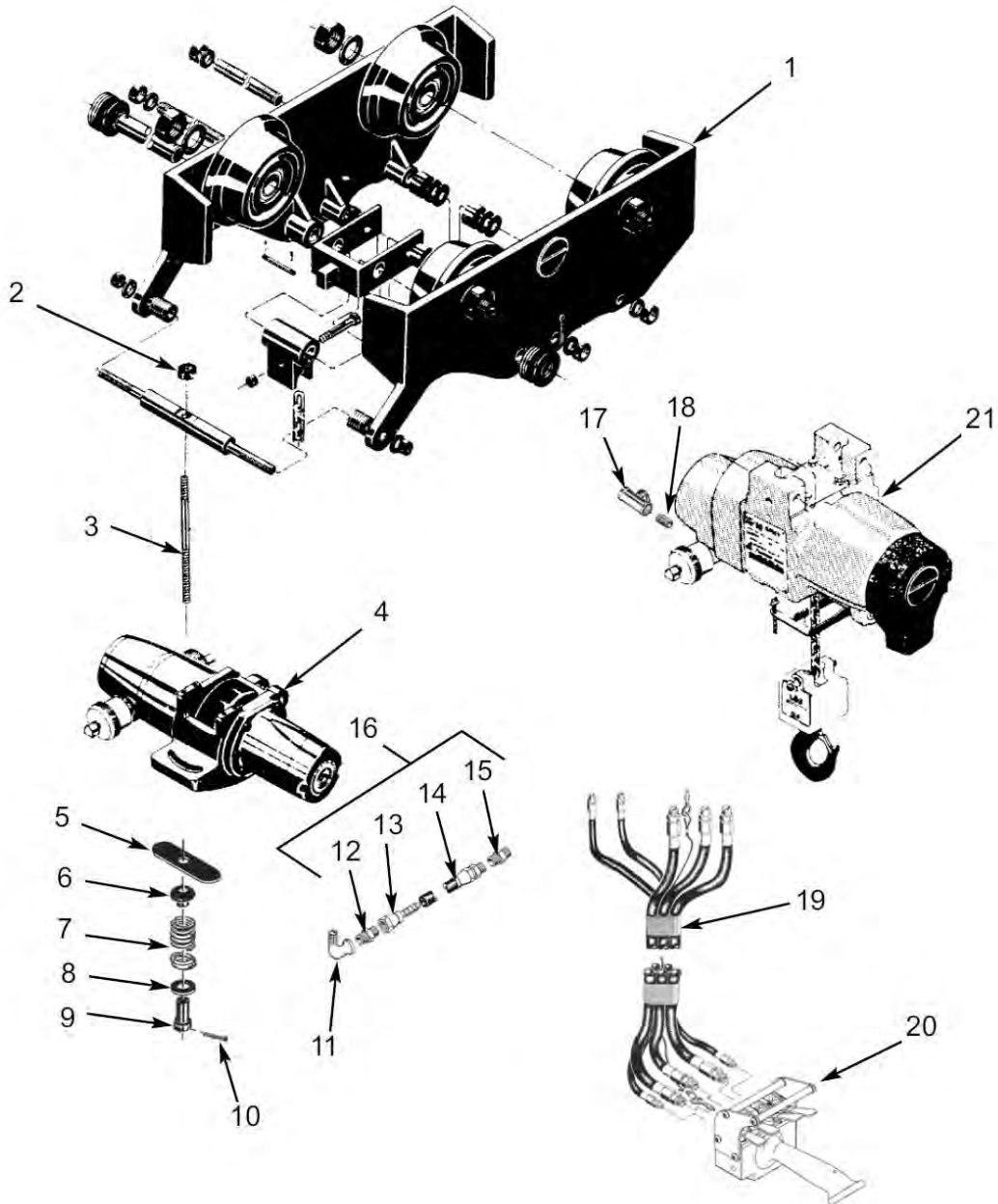
Table "B"

Index #	Description	Qty.	K1CA22...	Qty.	K1CA33...	Qty.	K1CA44...
--	Trolley Assembly	1	531065	1	531066	1	531067
19	Capacity Plate	1	529301	1	530365	1	529302

K1CA Hoist/Hoistractor Combination

“C”

K1CA66..., K1CA88... Hoist/Hoistractor Combination



K1CA Hoist/Hoistractor Combination (parts)

Illustration "C" - K1CA..., K1CA88... Hoist/Hoistractor Combination

Index	Number	#	.	EN	DE	FR	ES	IT
				Description	Benennung	Designation	Descripcion	Descrizione
1	Table "C"	1		Trolley Assembly	Wagen	Trolley	Trole	Carrello
2	C104	1		Nut	Mutter	Ecrou	Tuerca	Dado
3	513178	1		Stud	Bolzen	Goujon	Espárrago	Perno sporgente
4	Table "C"	1		Hoistractor	Hoistractor	Hoistractor	Hoistractor	Hoistractor
5	509130	1		Plate	Platte	Plaque	Placa	Piattello
6	60144	1		Washer	Scheibe	Rondelle	Arandela	Rondella
7	515392	1		Spring	Druckfeder	Ressort	Resorte	Molla
8	W178	1		Washer	Scheibe	Rondelle	Arandela	Rondella
9	60145	1		Nut	Mutter	Ecrou	Tuerca	Dado
10	P101D	1		Pin	Stift	Goupille cylindrique	Pasador	Spina
11	F581	1		Elbow	Ellbogen	Coude	Codo	Curva
12	506135	1		Adapter (3/8" NPT)	Zwischenstück	Adaptateur	Adaptador	Adattatore
13	506133	2		Swivel	Drehbar	Emerillon	Eslabón giratorio	Molinello
14	506141	1		Hose	Schlauch	Tuyau	Manguera	Tubo
15	506134	1		Adapter (1/2" NPT)	Zwischenstück	Adaptateur	Adaptador	Adattatore
16	515436	1		Hose Assembly	Schlauchbaugruppe	Assemblage de tuyau	Ensamblaje de manguera	Insieme tubo flessibile
17	F594	1		Tee	T-Stück	Té	Tubo en T	Derivazione a T
18	F572	1		Nipple	Nippel	Mamelon	Niple	Nipplo
19	Table "C"	1		PC Hose Assembly	Schlauchbaugruppe	Assemblage de tuyau	Ensamblaje de manguera	Insieme tubo flessibile
20	539844	1		PC Handle Assembly	Handgriff	Poignée	Manija	Impugnatura
21	Table "C"	1		Hoist	Hebwerke	Appareils de levage	Montacargas	Paranchi

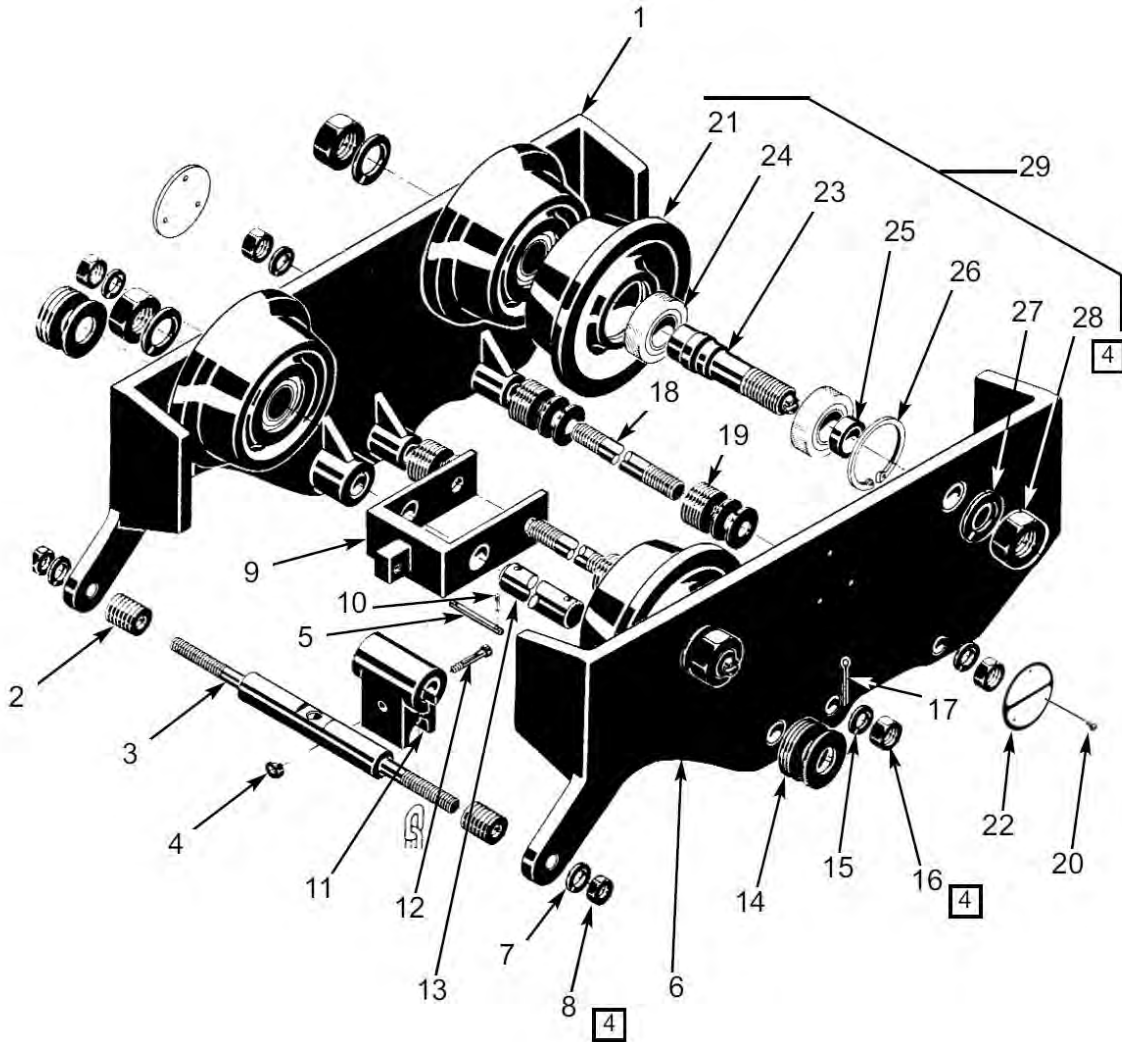
#) Quantity / Stückzahl / Quantité / Cantidad / Quantità

Table "C"

Index #	Description	Qty.	K1CA66...	Qty.	K1CA88...
1	Trolley Assembly	1	531072	1	531073
4	Hoistractor - Std Speed	1	513183	1	513183
	Hoistractor - High Speed	1	513196	1	513196
	Hoistractor - Slow Speed	1	513197	1	513197
19	PC Hose Assembly (10')	1	526171	1	526171
	PC Hose Assembly (15')	1	526172	1	526172
21	Hoist	1	K1HA66	1	K1HA88

K1CA Trolley Assembly A

“D” K1CA66..., K1CA88... Trolley Assembly
(4" - 6.25" Tapered Wheel)



4 See Service Notes



K1CA Trolley Assembly A (parts)

Illustration "D" - K1CA66..., K1CA88... Trolley Assembly

Index	Number	#	·	EN	DE	FR	ES	IT
				Description	Benennung	Designation	Descripcion	Descrizione
--	Table "B"	1		Trolley Assembly	Wagen	Trolley	Trole	Carrello
1	540799	1		Side Plate - Right	seitliche Platte	Plaque de serrage	Placa lateral	Piastra laterale
2	504809	24		Washer	Scheibe	Rondelle	Arandela	Rondella
3	513542	1		Stud	Bolzen	Goujon	Espárrago	Perno sporgente
4	C107D	1		Nut	Mutter	Ecrou	Tuerca	Dado
5	513537	1		Pin	Stift	Goupille cylindrique	Pasador	Spina
6	540798	1		Side Plate - Left	seitliche Platte	Plaque de serrage	Placa lateral	Piastra laterale
7	W183	2		Washer	Scheibe	Rondelle	Arandela	Rondella
8	C105B	2		Nut	Mutter	Ecrou	Tuerca	Dado
9	531070	1		Adapter	Zwischenstück	Adaptateur	Adaptador	Adattatore
10	P101C	2		Pin	Stift	Goupille cylindrique	Pasador	Spina
11	512410	1		Adapter	Zwischenstück	Adaptateur	Adaptador	Adattatore
12	535482	1		Load Bolt	Bolzen	Boulon	Perno	Dado
13	531057	1		Load Bar	Stab	Barre	La barra	La sbarra
14	512419L	24		Washer	Scheibe	Rondelle	Arandela	Rondella
15	W231	4		Washer	Scheibe	Rondelle	Arandela	Rondella
16	C110S	4		Nut	Mutter	Ecrou	Tuerca	Dado
17	P101G	2		Cotter Pin	Stift	Goupille cylindrique	Pasador	Spina
18	531058	2		Stud	Bolzen	Goujon	Espárrago	Perno sporgente
19	W196	44		Washer	Scheibe	Rondelle	Arandela	Rondella
20	534820	6		Screw	Schraube	Vis	Tornillo	Vite
21	526558	4		Wheel	Rad	Roue	Rueda	Mola
22	Table "B"	2		Capacity Plate	Kapazitaetsschild	Plaque signalétique	Placa de capacidad	Piattello capacitivo
23	526574	4		Axle	Achse	Axe	El eje	Asse
24	526576	8		Bearing	Lager	Coussinet	Cojinete	Cuscinetto
25	515363	4		Spacer	Distanzstück	Entretoise	Espaciador	Distanziale
26	65W24	4		Retaining Ring	Sicherungsring	Anneau de fixation	Anillo de retención	Anello di fissaggio
27	W205	4		Washer	Scheibe	Rondelle	Arandela	Rondella
28	C110T	4		Nut	Mutter	Ecrou	Tuerca	Dado
29	526577	4		Wheel Assembly	Radbaugruppe	Assemblage de roue	Ensamblaje de rueda	Gruppo mole

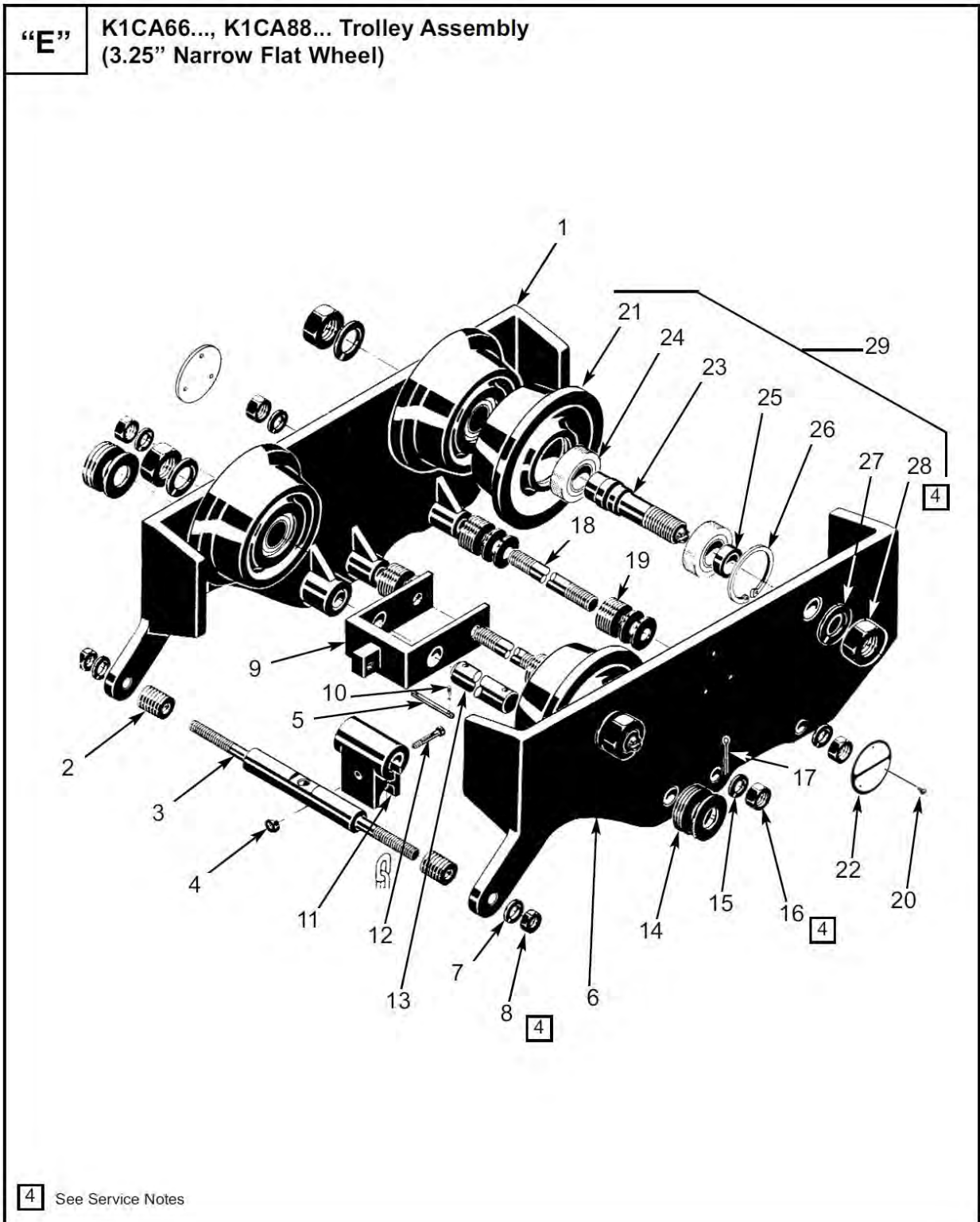
#) Quantity / Stückzahl / Quantité / Cantidad / Quantità

* Note: Alternate Construction Wheel Assembly = 536469 Flat Wheel

Table "D"

Index #	Description	Qty.	K1CA66...	Qty.	K1CA88...
--	Trolley Assembly	1	531072	1	531073
22	Capacity Plate	1	530366	1	529303

K1CA Trolley Assembly B



K1CA Trolley Assembly B (parts)

Illustration "E" - K1CA66..., K1CA88... Trolley Assembly

Index	Number	#	·	EN	DE	FR	ES	IT
				Description	Benennung	Designation	Descripcion	Descrizione
1	541838	1		Side Plate - Right	seitliche Platte	Plaque de serrage	Placa lateral	Piastra laterale
2	504809	26		Washer	Scheibe	Rondelle	Arandela	Rondella
3	517471	1		Stud	Bolzen	Goujon	Espárrago	Perno sporgente
4	C107D	1		Nut	Mutter	Ecrou	Tuerca	Dado
5	513537	1		Pin	Stift	Goupille cylindrique	Pasador	Spina
6	541839	1		Side Plate - Left	seitliche Platte	Plaque de serrage	Placa lateral	Piastra laterale
7	W183	2		Washer	Scheibe	Rondelle	Arandela	Rondella
8	C105B	2		Nut	Mutter	Ecrou	Tuerca	Dado
9	531070	1		Adapter	Zwischenstück	Adaptateur	Adaptador	Adattatore
10	P101C	2		Pin	Stift	Goupille cylindrique	Pasador	Spina
11	512410	1		Adapter	Zwischenstück	Adaptateur	Adaptador	Adattatore
12	535482	1		Load Bolt	Bolzen	Boulon	Perno	Dado
13	531057	1		Load Bar	Stab	Barre	La barra	La sbarra
14	512419L	36		Washer	Scheibe	Rondelle	Arandela	Rondella
15	W231	4		Washer	Scheibe	Rondelle	Arandela	Rondella
16	C110S	4		Nut	Mutter	Ecrou	Tuerca	Dado
17	P101G	2		Cotter Pin	Stift	Goupille cylindrique	Pasador	Spina
18	531058	2		Stud	Bolzen	Goujon	Espárrago	Perno sporgente
19	W196	44		Washer	Scheibe	Rondelle	Arandela	Rondella
20	534820	6		Screw	Schraube	Vis	Tornillo	Vite
21	526559	4		Wheel	Rad	Roue	Rueda	Mola
22	Table "E"	2		Capacity Plate	Kapazitaetsschild	Plaque signalétique	Placa de capacidad	Piattello capacitivo
23	526574	4		Axle	Achse	Axe	El eje	Asse
24	526576	8		Bearing	Lager	Coussinet	Cojinete	Cuscinetto
25	515363	4		Spacer	Distanzstück	Entretoise	Espaciador	Distanziale
26	65W24	4		Retaining Ring	Sicherungsring	Anneau de fixation	Anillo de retención	Anello di fissaggio
27	W205	4		Washer	Scheibe	Rondelle	Arandela	Rondella
28	C110T	4		Nut	Mutter	Ecrou	Tuerca	Dado
29	526579	4		Wheel Assembly	Radbaugruppe	Assemblage de roue	Ensamblaje de rueda	Gruppo mole

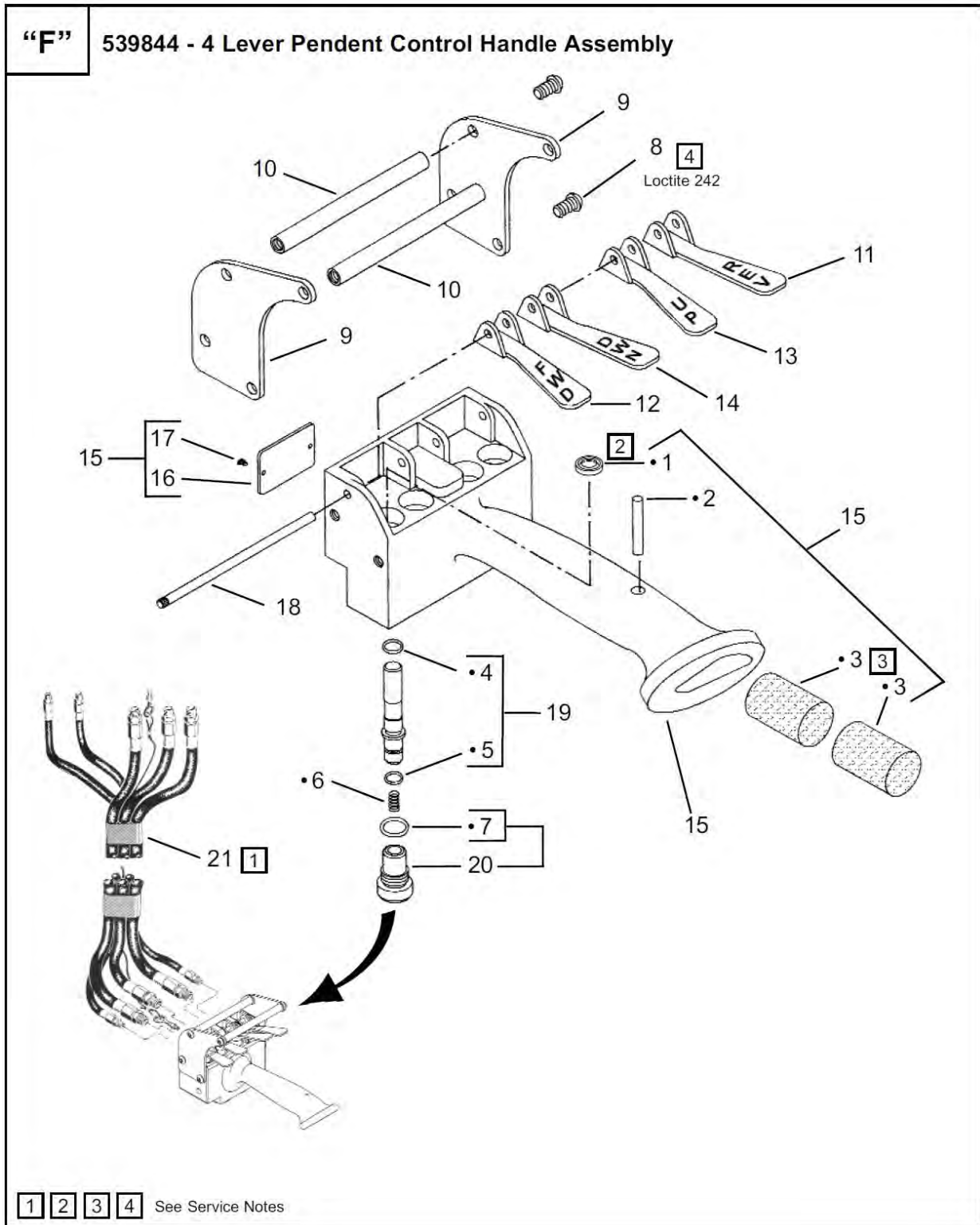
#) Quantity / Stückzahl / Quantité / Cantidad / Quantità

* Note: Alternate Construction Wheel Assembly = 536469 Flat Wheel

Table "E"

Index #	Description	Qty.	K1CA66...	Qty.	K1CA88...
22	Capacity Plate	1	530366	1	529303

K1CA Hoist/Hoistractor Combination



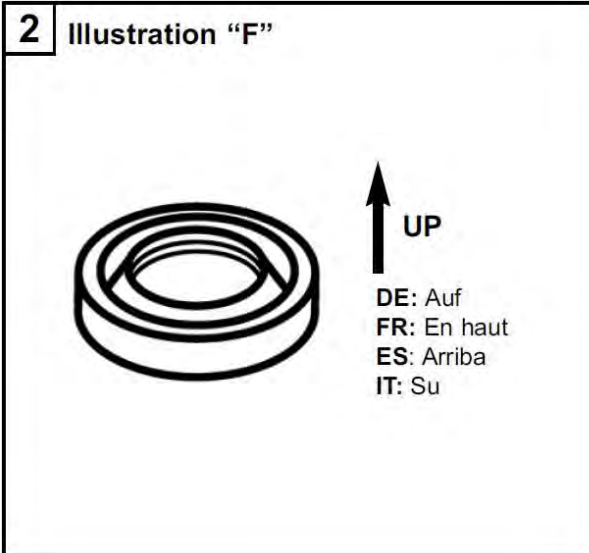
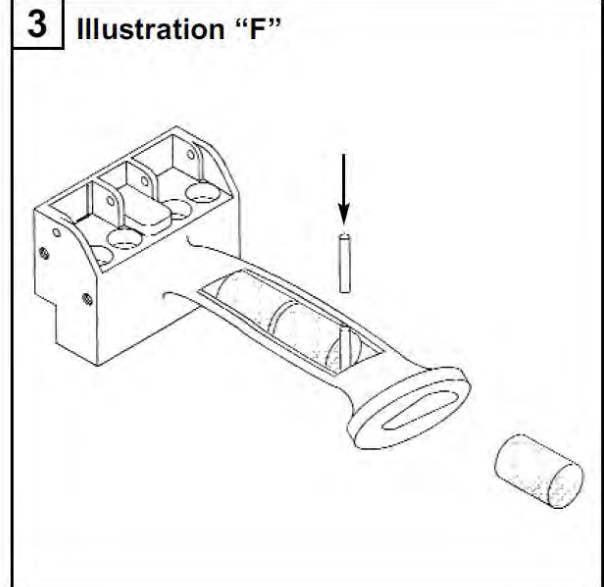
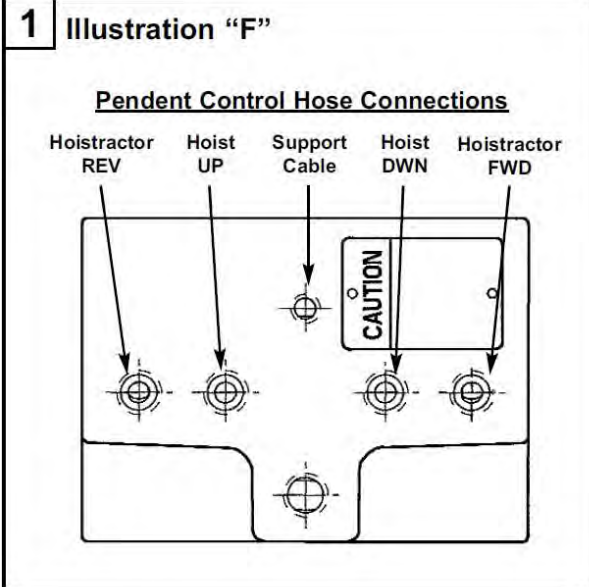
K1CA Hoist/Hoistractor Combination (parts)

Illustration "F" - 539844 - 4 Lever Pendent Control Assembly

Index	Number	#	·	EN	DE	FR	ES	IT
				Description	Benennung	Designation	Descripción	Descrizione
1	539714	4	8	Seal	Dichtung	Sceau	Sello	Guarnizione
2	RP103G	1	2	Pin	Stift	Goupille cylindrique	Pasador	Spina
3	531753	2	4	Muffler	Schalldämpfer	Silencieux	Silenciador	Silenziatore
4	504970	4	8	O-Ring	O-Ring	Joint torique	Anillo "O"	Anello ad O
5	1008127	4	8	O-Ring	O-Ring	Joint torique	Anillo "O"	Anello ad O
6	511608	4	8	Spring	Druckfeder	Ressort	Resorte	Molla
7	60351	4	8	O-Ring	O-Ring	Joint torique	Anillo "O"	Anello ad O
8	B126N	8		Screw	Schraube	Vis	Tornillo	Vite
9	539865	2		Side Plate	seitliche Platte	Plaque de serrage	Placa lateral	Piastra laterale
10	539866	2		Spacer	Distanzstück	Entretoise	Espaciador	Distanziale
11	526267	1		Lever (REV)	Hebel (Rückwärts)	Levier (en arrière)	Palanca (hacia atrás)	Leva (indietro)
12	526268	1		Lever (FWD)	Hebel (Vorwärts)	Levier (Avant)	Palanca (Delantero)	Leva (In avanti)
13	526277	1		Lever (UP)	Hebel (Auf)	Levier (En haut)	Palanca (Arriba)	Leva (Su)
14	526278	1		Lever (DWN)	Hebel (Hinunter)	Levier (En bas)	Palanca (Hacia abajo)	Leva (Giù)
15	539412	1		Handle	Handgriff	Poignée	Manija	Impugnatura
16	521768	1		Caution Plate	Achtungsschild	Plaque d'avertissement	Placa de instrucciones	Piastra di protezione
17	534820	2		Screw	Schraube	Vis	Tornillo	Vite
18	539835	1		Pin	Stift	Goupille cylindrique	Pasador	Spina
19	539832	2		Valve	Ventil	Soupape	Válvula	Valvola
20	511610	2		Cap	Kappe	Chapeau	Tapa	Cappello
21	526170	1		Hose (5ft.)	Schlauch (1.5m)	Tuyau (1.5m)	Manguera (1.5m)	Tubo (1.5m)
	526171	1		Hose (10ft.)	Schlauch (3.0m)	Tuyau (3.0m)	Manguera (3.0m)	Tubo (3.0m)
	526172	1		Hose (15ft.)	Schlauch (4.6m)	Tuyau (4.6m)	Manguera (4.6m)	Tubo (4.6m)
	526175	1		Hose (20ft.)	Schlauch (6.1m)	Tuyau (6.1m)	Manguera (6.1m)	Tubo (6.1m)
	526176	1		Hose (25ft.)	Schlauch (7.6m)	Tuyau (7.6m)	Manguera (7.6m)	Tubo (7.6m)

#) Quantity / Stückzahl / Quantité / Cantidad / Quantità

Description



4

Illustration	Index Number	Tightening Torque Anzugsmoment Tightening Torque Torsión de Apriete Tightening Torque	
		Ft-Lbs (in-lbs)	Nm
B	6	70-80	95-108
	13	120-140	163-190
D	8	70-80	95-108
	16	120-140	163-190
	28	200-220	271-298
E	8	70-80	95-108
	16	120-140	163-190
	28	200-220	271-298
F	8	6-May	6,8-8,1

Lifting and Lowering Speeds

K1CA22...												
Air Pressure		Direction	Load									
			lbs.	kg	lbs.	kg	lbs.	kg	lbs.	kg		
			0	0	550	250	1100	499	1650	748	2200	998
			Load Speed									
PSI	Kg/CM2		fpm	mpm	fpm	mpm	fpm	mpm	fpm	mpm	fpm	mpm
90	6.3	Lift	48	14.6	45	13.7	42	12.8	37	11.3	34	10.4
		Lower	38	11.6	42	12.8	45	13.7	48	14.6	53	16.1
80	5.8	Lift	47	14.3	43	13.0	40	12.2	35	10.7	30	9.2
		Lower	37	11.3	40	12.2	44	13.4	47	14.3	53	16.1
70	4.9	Lift	46	14.0	42	12.8	37	11.3	32	9.7	27	8.2
		Lower	35	10.7	39	11.9	43	13.0	47	14.3	53	16.1
60	4.2	Lift	43	13.0	40	12.2	34	10.4	29	8.8	23	7.0
		Lower	34	10.4	38	11.6	43	13.0	47	14.3	52	15.8
50	3.5	Lift	41	12.5	37	11.3	30	9.2	25	7.6	19	5.8
		Lower	31	9.4	37	11.3	40	12.2	45	13.7	51	15.5
40	2.8	Lift	37	11.3	32	9.7	26	7.9	19	5.8	--	--
		Lower	29	8.8	34	10.4	40	12.2	44	13.4	--	--

K1CA33...												
Air Pressure		Direction	Load									
			lbs.	kg	lbs.	kg	lbs.	kg	lbs.	kg		
			0	0	825	374	1650	748	2475	1123	3300	1497
			Load Speed									
PSI	Kg/CM2		fpm	mpm	fpm	mpm	fpm	mpm	fpm	mpm	fpm	mpm
90	6.3	Lift	32	9.7	29	8.8	27	8.2	24	7.3	22	6.7
		Lower	25	7.6	27	8.2	29	8.8	31	9.4	34	10.4
80	5.8	Lift	31	9.4	28	8.5	26	7.9	23	7.0	20	6.1
		Lower	24	7.3	26	7.9	29	8.8	30	9.2	34	10.4
70	4.9	Lift	30	9.2	27	8.2	24	7.3	21	6.4	19	5.8
		Lower	23	7.0	25	7.6	28	8.5	30	9.2	34	10.4
60	4.2	Lift	28	8.5	26	7.9	22	6.7	19	5.8	16	4.9
		Lower	22	6.7	25	7.6	28	8.5	30	9.2	34	10.4
50	3.5	Lift	27	8.2	24	7.3	20	6.1	16	4.9	13	4.0
		Lower	21	6.4	24	7.3	26	7.9	30	9.2	33	10.0
40	2.8	Lift	24	7.3	21	6.4	17	5.2	13	4.0	--	--
		Lower	19	5.8	22	6.7	26	7.9	29	8.8	--	--

K1CA44...												
Air Pressure		Direction	Load									
			lbs.	kg	lbs.	kg	lbs.	kg	lbs.	kg		
			0	0	1100	499	2200	998	3300	1497	4400	1996
			Load Speed									
PSI	Kg/CM2		fpm	mpm	fpm	mpm	fpm	mpm	fpm	mpm	fpm	mpm
90	6.3	Lift	23	7.0	21	6.4	20	6.1	17	5.2	16	4.9
		Lower	18	5.5	20	6.1	21	6.4	22	6.7	25	7.6
80	5.8	Lift	22	6.7	20	6.1	19	5.8	16	4.9	15	4.6
		Lower	17	5.2	19	5.8	21	6.4	22	6.7	25	7.6
70	4.9	Lift	21	6.4	20	6.1	17	5.2	15	4.6	14	4.3
		Lower	17	5.2	18	5.5	20	6.1	22	6.7	25	7.6
60	4.2	Lift	20	6.1	19	5.8	16	4.9	14	4.3	11	3.3
		Lower	16	4.9	18	5.5	20	6.1	22	6.7	24	7.3
50	3.5	Lift	19	5.8	17	5.2	14	4.3	12	3.7	9	2.7
		Lower	15	4.6	17	5.2	19	5.8	21	6.4	24	7.3
40	2.8	Lift	18	5.5	15	4.6	12	3.7	9	2.7	--	--
		Lower	14	4.3	16	4.9	19	5.8	21	6.4	--	--



Lifting and Lowering Speeds cont'd

K1CA66...												
Air Pressure		Direction	Load									
			lbs.	kg	lbs.	kg	lbs.	kg	lbs.	kg	lbs.	kg
			0	0	1650	748	3300	1497	4950	2245	6600	2994
PSI	Kg/CM2	Load Speed										
		fpm	mpm	fpm	mpm	fpm	mpm	fpm	mpm	fpm	mpm	
90	6.3	Lift	16	4.9	15	4.6	14	4.3	12	3.7	11	3.3
		Lower	12	3.7	14	4.3	15	4.6	16	4.9	17	5.2
80	5.8	Lift	16	4.9	14	4.3	13	4.0	11	3.3	10	3.0
		Lower	12	3.7	13	4.0	14	4.3	15	4.6	17	5.2
70	4.9	Lift	15	4.6	14	4.3	12	3.7	11	3.3	9	2.7
		Lower	12	3.7	13	4.0	14	4.3	15	4.6	17	5.2
60	4.2	Lift	14	4.3	13	4.0	11	3.3	9	2.7	8	2.4
		Lower	11	3.3	12	3.7	14	4.3	15	4.6	17	5.2
50	3.5	Lift	13	4.0	12	3.7	10	3.0	8	2.4	6	1.8
		Lower	10	3.0	12	3.7	13	4.0	15	4.6	16	4.9
40	2.8	Lift	12	3.7	11	3.3	8	2.4	6	1.8	--	--
		Lower	9	2.7	11	3.3	13	4.0	14	4.3	--	--

K1CA88...																				
Air Pressure		Direction	Load																	
			lbs.	kg	lbs.	kg	lbs.	kg	lbs.	kg	lbs.	kg	lbs.	kg	lbs.	kg	lbs.	kg		
			0	0	1100	499	2200	998	3300	1497	4400	1996	5500	2495	6600	2994	7700	3493	8800	3992
PSI	Kg/CM2	Load Speed																		
		fpm	mpm	fpm	mpm	fpm	mpm	fpm	mpm	fpm	mpm	fpm	mpm	fpm	mpm	fpm	mpm	fpm	mpm	
90	6.3	Lift	11	3.4	11	3.4	11	3.4	10	3.0	10	3.0	9	2.7	9	2.7	8	2.4	8	2.4
		Lower	9	2.7	9	2.7	10	3.0	10	3.0	11	3.4	11	3.4	11	3.4	12	3.6	12	3.6
80	5.8	Lift	11	3.4	12	3.6	10	3.0	10	3.0	10	3.0	9	2.7	8	2.4	8	2.4	7	2.1
		Lower	9	2.7	9	2.7	9	2.7	10	3.0	10	3.0	11	3.4	11	3.4	12	3.6	12	3.6
70	4.9	Lift	11	3.4	10	3.0	10	3.0	9	2.7	9	2.7	8	2.4	8	2.4	7	2.1	7	2.1
		Lower	8	2.4	9	2.7	9	2.7	10	3.0	10	3.0	10	3.0	11	3.4	12	3.6	12	3.6
60	4.2	Lift	10	3.0	10	3.0	10	3.0	9	2.7	8	2.4	7	2.1	7	2.1	6	1.8	6	1.8
		Lower	8	2.4	8	2.4	9	2.7	9	2.7	10	3.0	10	3.0	11	3.4	11	3.4	12	3.6
50	3.5	Lift	10	3.0	9	2.7	9	2.7	8	2.4	7	2.1	6	1.8	6	1.8	5	1.5	5	1.5
		Lower	7	2.1	8	2.4	9	2.7	9	2.7	10	3.0	10	3.0	11	3.4	11	3.4	12	3.6
40	2.8	Lift	9	2.7	8	2.4	8	2.4	7	2.1	6	1.8	5	1.5	5	1.5	--	--	--	--
		Lower	7	2.1	7	2.1	8	2.4	9	2.7	9	2.7	10	3.0	10	3.0	--	--	--	--





PL86-K1CA
April 7, 2016

FOR QUESTIONS, TECHNICAL AND WARRANTY SUPPORT:

GD HOIST

5215 S. Emmer Dr.

New Berlin, WI 53151

Phone: 262-710-4185

Fax: 262-796-1194

www.gdhoist.com

